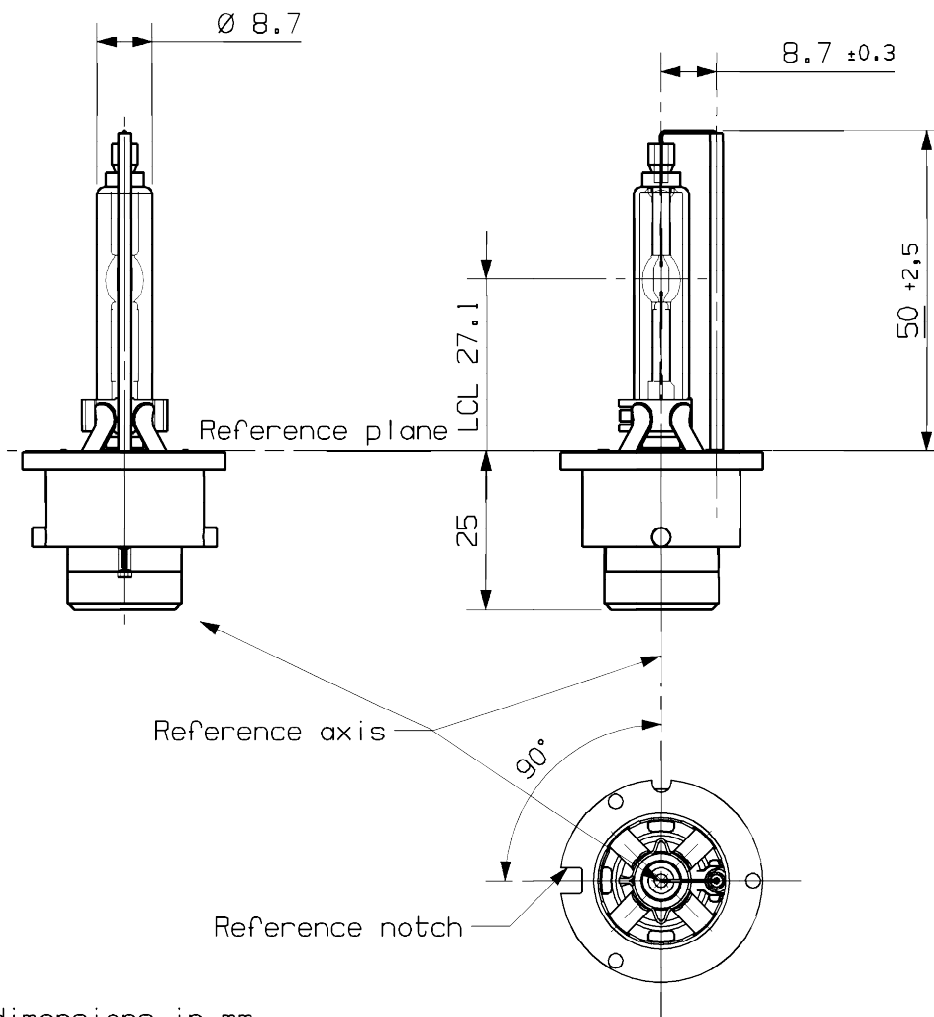


D4S 42V 35W XenEco



All dimensions in mm

| | |
|--------------------|----------------|
| Xenon Bulb | |
| D4S 42V 35W XenEco | |
| Cap: ¹⁾ | P32d-5 |
| Type: | 42402 |
| ECE R99 | E4 0A5 |
| DOT | none |
| Code No. | 9285 321 244.. |

Made in Germany, Aachen

1) according to IEC 61-1 sheet 7004-111-2

© Koninklijke PHILIPS Electronics N.V.. All rights are reserved.
Reproduction in whole or in parts is prohibited without the written
consent of the copyright owner.

| Technical data | R99 |
|----------------------|--------------------|
| Test voltage | 44,0 V |
| Power | 35 W ± 0,3 W |
| Ignition Voltage | 23 KV max. |
| Luminous flux | 3050 lm ± 250 lm |
| Maintenance at 1500h | 75 % |
| Colour Temperature: | 4100 K |
| Colour: | 0,378 x 0,384 y |

| | |
|---------------------|-------------|
| Rated life at | 44,0 V |
| - characteristic Tc | 2500 h min. |
| - B3 | 1500 h min. |

| | |
|--------------------------------|---------------------------------------|
| Maximum operating temperature: | 700 °C max. bulb 400 °C max. pinch |
| Operating position: | horizontal |